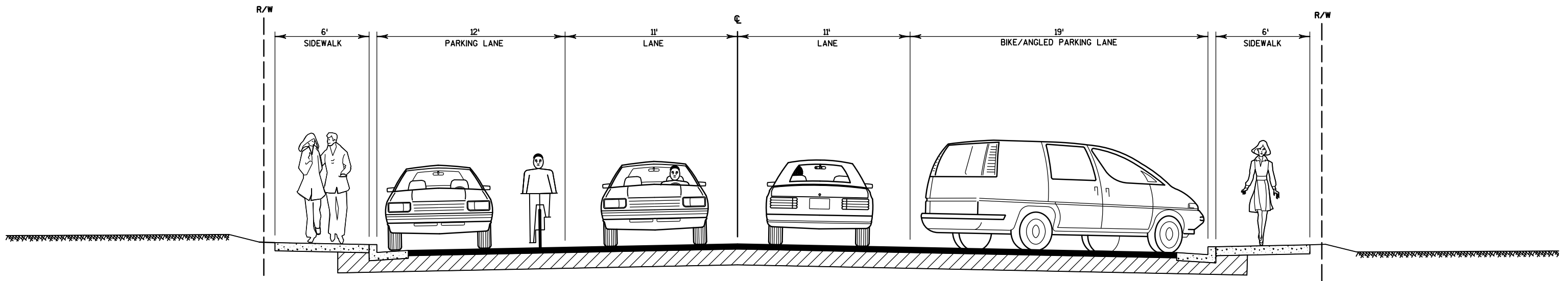
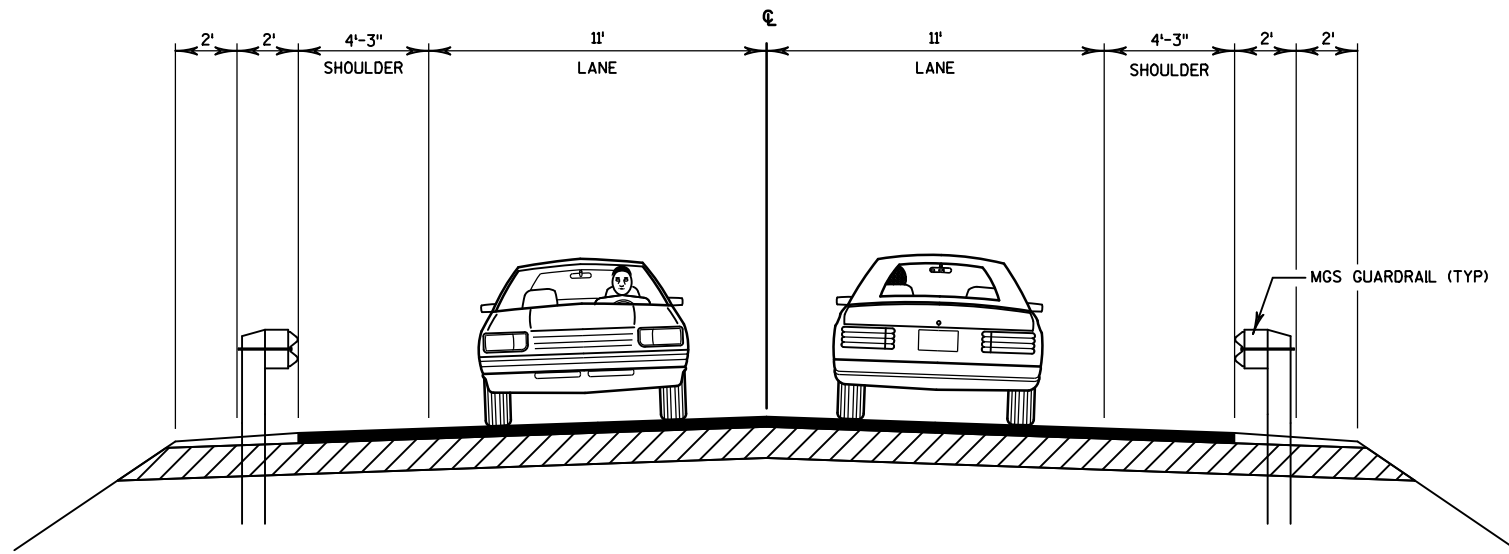


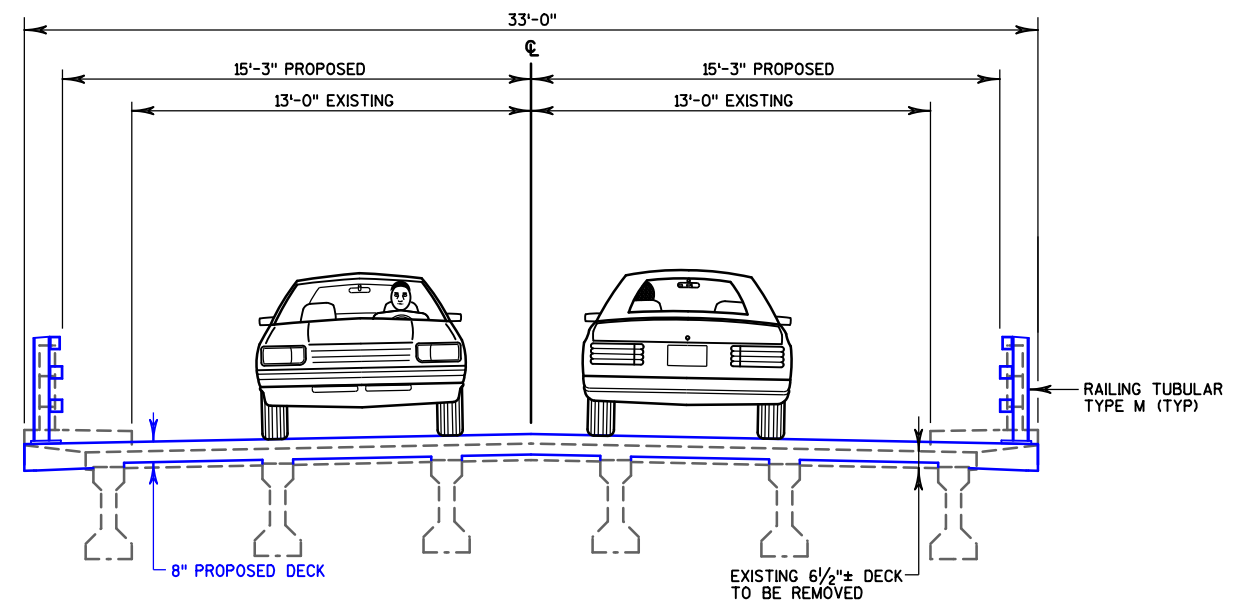
**CTH V
 STH 113 - RAPP ROAD
 COLUMBIA COUNTY
 PUBLIC INVOLVEMENT MEETING 8-9-2018**



TYPICAL FINISHED SECTION CTH V



*TYPICAL FINISHED SECTION
 CTH V W/GUARDRAIL*



*TYPICAL FINISHED SECTION
 CTH V THRU BRIDGE*